

## Smart-Sight

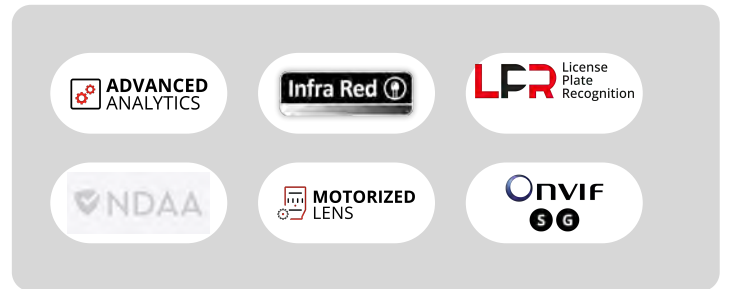
The series offers a range of AI Cameras for diverse surveillance needs. Every camera delivers superior performance and accuracy with advanced technology and purposeful design. Each component is chosen for seamless integration and optimal functionality. Whether it's fixed or motorized lenses, License Plate Recognition, or Thermal cameras, The Smart-Sight series is for you.



# I6-320LPR-MVF1

## 2MP MVF Lens Bullet Camera with IR LED and LPR Analytics

Provision-ISR I6-320LPR-MVF1 LPR camera relies on the most advanced image-processing technology. Equipped with a 2.8-12mm motorized lens, this 2MP bullet camera is designed to capture international license plate digits and letters. The I6-320LPR-MVF1 captures the license plate in real-time, generating appropriate actions such as opening a gate or giving an alert. The Provision-ISR LPR cameras' best application is gate automation and street monitoring.



## MAIN FEATURES

- I6-320LPR-MVF1 2MP MVF Lens Bullet Camera with IR LED and LPR Analytics
- Sensor: 1/2.8" CMOS (16:9)
- Resolution: 1920×1080 25/30FPS (2MP)
- Lens: 2.8-12mm MVF(103.4°-32.4°)
- True Day&Night – ICR
- Illumination: 60m (4 High-Power IR LED)
- Compression: H.265+/ H.264+ / H.265 / H.264 / MJPEG
- General Analytics: Camera Tampering
- License plate recognition
- True WDR(120dB), BLC, HLC, ROI
- SD Card: Event/Schedule Record (Up to 128GB)
- Alarm in + Alarm out
- Audio input + Audio output
- ONVIF: Profile S/G
- Water Proof: IP67
- Weight: ~1040g
- Power: DC12V/~910mA / PoE/~11W



<https://provision-isr.com>

## SPECIFICATIONS

3rd Party Cyber Protection	
General	N/A
Protection Methods	N/A
NDAA Compliant	
NDAA Compliant	No
Video	
Image Sensor	1/2.8" CMOS (16:9)
Effective Pixels	1920x1080
Electronic Shutter	1/25s ~ 1/100000s
Day & Night	ICR
Min. Illumination	Day: 0.1lux / Night: 0.005lux (@F1.6, AGC on) 0lux with IR on
Audio	
Audio compression	G.711A/G.711U
Communication	Two-Way Audio
Image	
Image Settings	AWB, AGC Adjustable, Exposure Mode (Auto) Sharpness, Saturation, Brightness & Contrast Adjustable
Image Enhancement	True WDR(120dB), BLC, HLC, ROI
Noise Reduction	3D-DNR
Image Orientation	Mirror/Flip
Privacy Zone	Yes
Events and Analytics	
Analytics	General Analytics: Camera Tampering License plate recognition
Motion Detection	Yes
Triggers	Snapshot / Email / FTP for allow/block lists

<b>Recognition per second</b>	2 plates per second
<b>Recognition distance</b>	1.05m-14.32m
<b>license plate database</b>	LPR (database):10000 Plate Database
<b>Speed</b>	LPR (detection speed): 0-70Km/h
<b>Accuracy</b>	Recognition rate up to 99% under good conditions
<b>Automation</b>	Automation: Can work as a standalone for gate automation

<b>Compression</b>	
<b>Resolution</b>	2MP / 1MP / D1 (704x576) / QVGA (480x240) / CIF (352x288)
<b>Frame Rate</b>	1-25/30FPS In Normal Mode. 1-50/60FPS in HFR Mode***
<b>Video Compression</b>	H.265+ / H.264+ / H.265 / H.264 / MJPEG**
<b>Multi-Stream</b>	Master Stream: 2MP (1920x1080) / 1MP (1280x720) (1~30fps) Substream: 1MP/QVGA/D1/CIF Third Stream: QVGA/D1/CIF (1~30fps)
<b>Bit Rate</b>	64Kbps ~ 8Mbps@H.265 / 64Kbps ~ 12Mbps@H.264
<b>Encode Mode</b>	VBR/CBR
<b>Image Quality</b>	Five levels under VBR; Free adjustment under CBR

<b>Lens</b>	
<b>Lens (Field of View)</b>	2.8-12mm MVF(103.4°-32.4°)
<b>Iris</b>	DC Iris
<b>Lens Mount</b>	Ø14 Mount

<b>Network</b>	
<b>User Access</b>	Supports simultaneous monitoring of up to 10 users with multi-stream real-time transmission
<b>Network Protocol</b>	IPv4, IPv6, TCP, UDP, DHCP, NTP, DDNS, 802.1X, RTSP, Multicast, UPnP, Email, FTP, HTTPS, QoS
<b>Remote Monitoring</b>	IE Browsing (Plug-In required), Chrome/Edge/Safari/Firefox plug-in free browsing, Ossia VMS Software, Provision Cam2 Mobile App *P2P WEB connetion always requires Plugin
<b>Ethernet</b>	100Mbps

<b>ONVIF</b>	Profile S/G
--------------	-------------

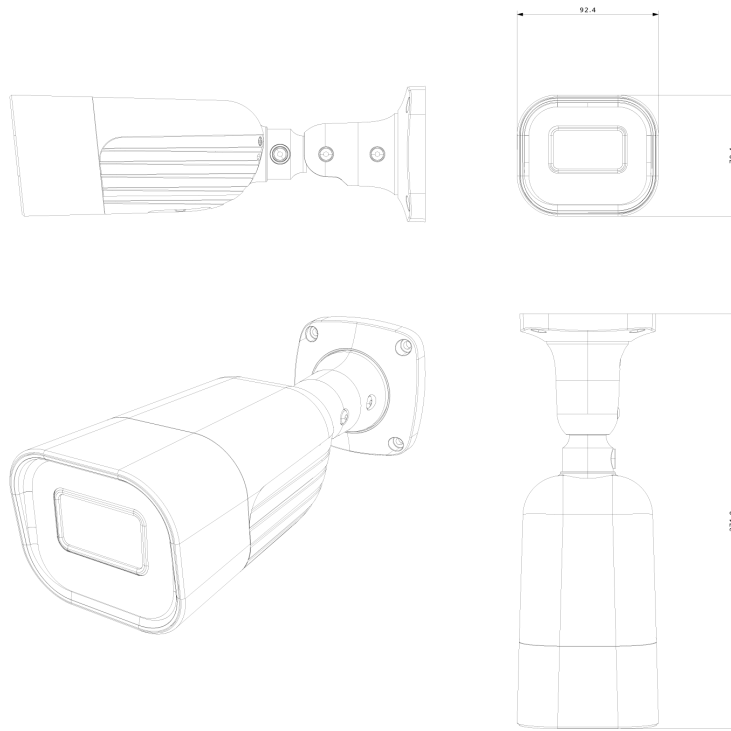
## Connectivity

<b>Network</b>	RJ45 (+PoE)
<b>Audio Connectivity</b>	Audio input + Audio output
<b>Alarm</b>	Alarm in + Alarm out
<b>SD Card</b>	Event/Schedule based Main/Substream recording (Up to 128GB)
<b>Wiegand</b>	N/A
<b>Power</b>	DC Socket
<b>Analog Video Output</b>	Technician Port

## Housing

<b>PoE</b>	Yes
<b>Illumination</b>	60m (4 High-Power IR LED)
<b>Power Supply</b>	DC12V/~910mA / PoE/~11W
<b>Protection Rate</b>	Water Proof: IP67
<b>Work Environment</b>	-30°C~60°C, 10%~90% Humidity
<b>Bracket</b>	3-Axis Bracket
<b>Dimensions</b>	271.8x92.4x79.4mm
<b>Weight (gross)</b>	~1040g
<b>Hard Reset Button</b>	Yes

## DIMENSIONS



## ACCESSORIES

